



TEMPERATURE

THERMOBUFFER TEMPERATURE SENSORS

BA/*-TB SERIES

DESCRIPTION

The **BAPI BA Series Thermobuffer Sensors** are designed specifically for freezers and coolers to simulate the temperature of the contents and not the air temperature. The fluid-filled chamber allows for slower reaction to abrupt temperature changes from opening or closing the cooler door. The Thermobuffer helps eliminate spikes and short cycling of refrigeration equipment.

FEATURES

- Fluid-filled to mimic core temperatures
- Decreases false high limit alarms
- Stainless steel or aluminum



BA/10K2TBM3042HB



BA/10K2TBM3044BB



BA/10K2TBM3044BB2

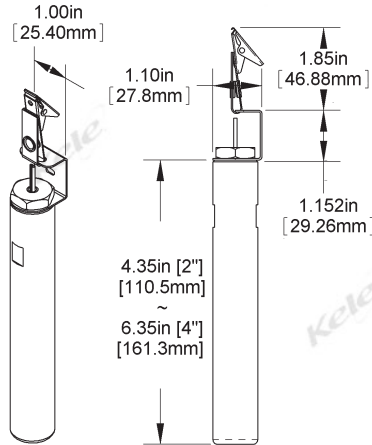


SPECIFICATIONS

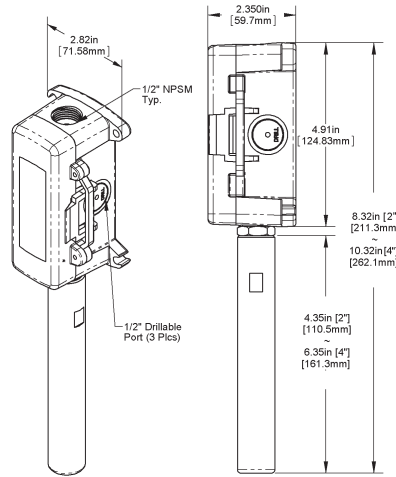
Accuracy		Enclosure/Weight	
Thermistor	±0.36°F (0.2°C)	HB	Hanging Bracket with 30" jacketed cable; 0.55lb (0.25 Kg)
RTD	±0.55°F (0.30°C)	BB	BAPI Box- IP66, UV-resistant polycarbonate; 0.8 lb (0.36 Kg)
Sensor Type		BB2	BAPI Box 2- IP66, UV-resistant polycarbonate; 0.8 lb (0.36 Kg)
Thermistor	10kΩ, Type II & III	Mounting	Directly to wall or with hanging bracket
RTD	100Ω, 1000Ω 385 curve, 1000Ω 375 curve	Wiring Terminations	22 AWG wire, etched teflon leads
Temperature Range	32° to 158°F (-0° to 70°C)	Approvals	CE, RoHS
Stability		Warranty	Lifetime
Thermistor	<0.036°F (0.02°C) per year		
RTD	0.14 °C with 6,000 continuous hours at 400°C		
Heat Dissipation	0.4°C/mW at 0°C, 2.7 mW/°C (power need to raise the temperature 1°C)		



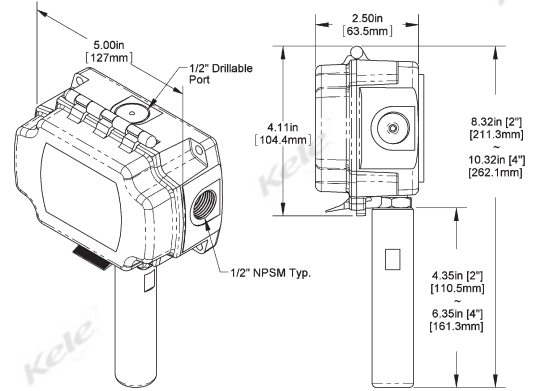
DIMENSIONS



THERMAL-THERMOBUFFER



BB2-THERMOBUFFER



BB-THERMOBUFFER

ORDERING INFORMATION

MODEL	DESCRIPTION
BA/	Probe temperature sensor
	REQUIRED SENSOR TYPE
10K2	10,000Ω thermistor @ 77°F (25°C), Type II
10K3	10,000Ω thermistor @ 77°F (25°C), Type III
100	100Ω RTD @ 32°F (0°C), 385 curve
1K	1000Ω RTD @ 32°F (0°C), 385 curve
	REQUIRED PROBE TYPE AND LENGTH
TB-M3042	Thermobuffer probe 2" long, 304 stainless chamber
TB-M3044	Thermobuffer probe 4" long, 304 stainless chamber
TB-MAL2	Thermobuffer probe 2" long, aluminum chamber
TB-MAL4	Thermobuffer probe 4" long, aluminum chamber
HB	Hanging bracket with jacketed cable
BB	BAPI box NEMA 4X
BB2	BAPI box 2 NEMA 4X

BA/ — 10K3 — TB-M3044

HB **Example:** BA/100TBM3044HB Thermobuffer probe 100Ω RTD 385 curve, with hanging bracket and jacketed cable.

RELATED PRODUCTS

		PAGE
T85U-XR	1000 ohm, Type 85 4-20 mA temperature transmitter, custom rangeable	1279
T81U-XR	100 ohm, Type 81 4-20 mA temperature transmitter, custom rangeable	1281
T91U-XR	1000 ohm, Type 91 4-20 mA temperature transmitter, custom rangeable	1277